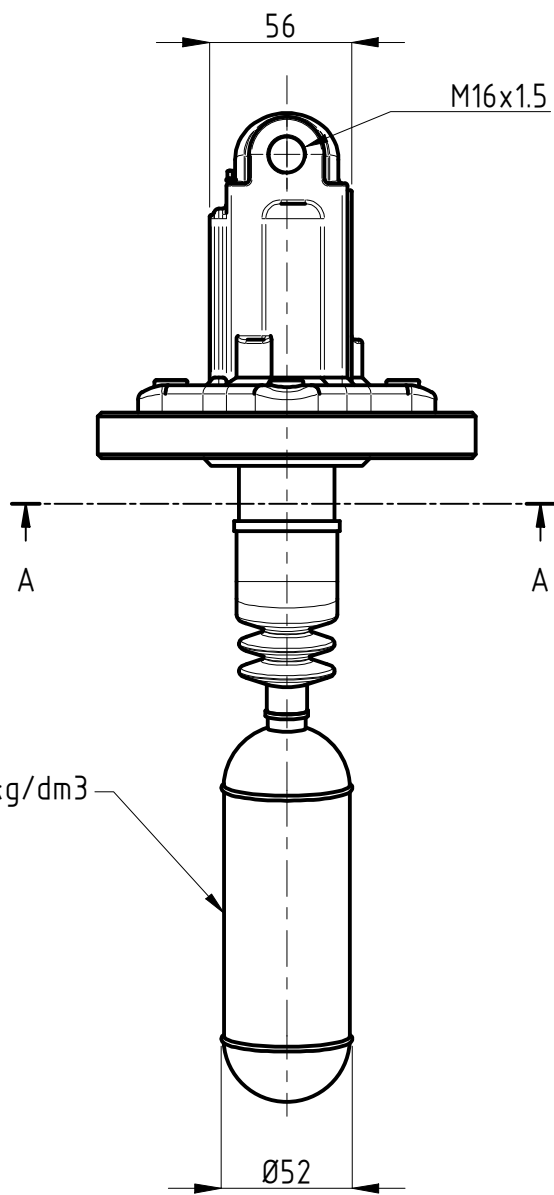
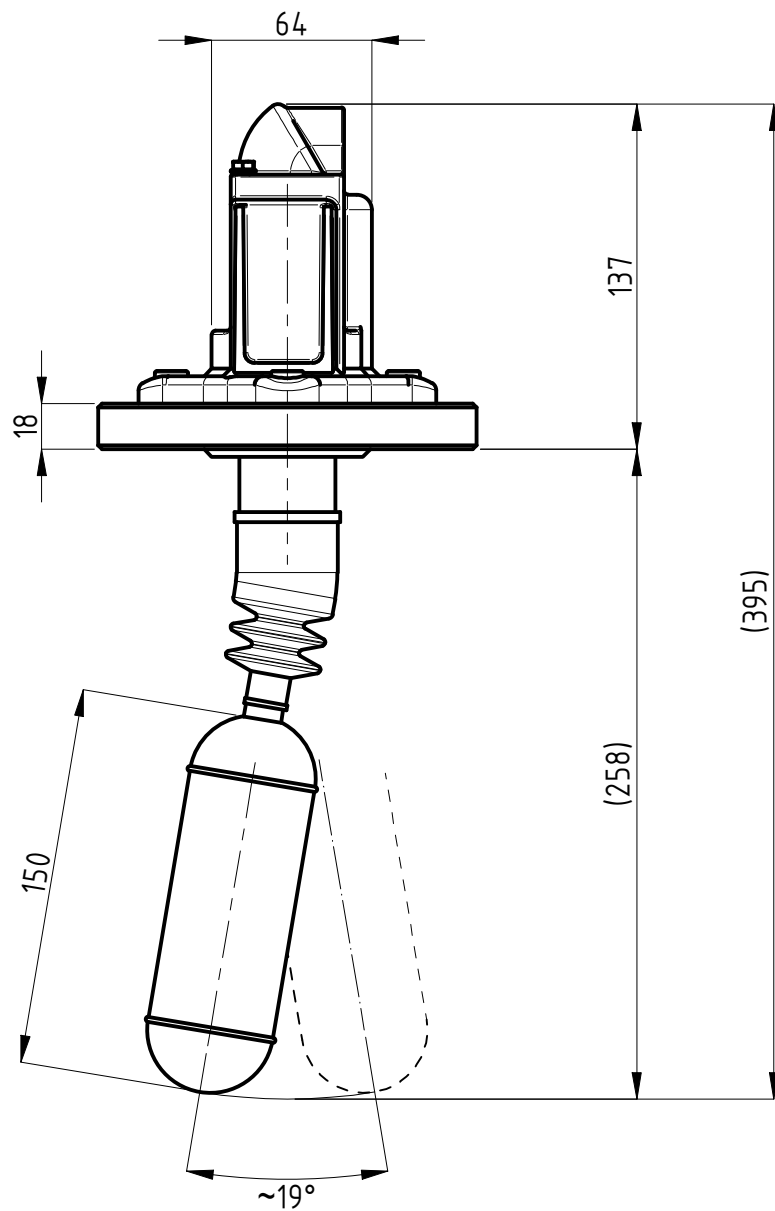


PE	NO	COM	NC
	1	2	3
MAX. 10A / 250V			

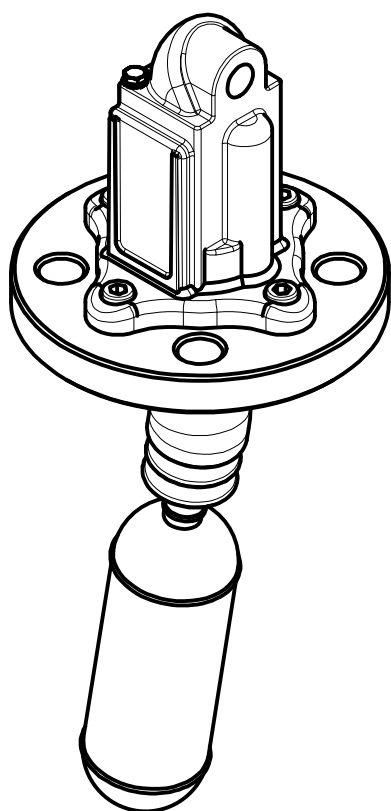
Terminals : male FASTON (.250 series / 6,3x0,8 mm)



density > 0,70 kg/dm<sup>3</sup>



PFGLP



Model	PFGLP
Weight	2,9 [kg]
Power supply	not powered
Signal	SPDT / max. 10[A]-250VAC
IP grade	IP65
Housing	Aluminium (powder coated)
Connection and floating	DN40 / PN.40 - AISI 316
Ambient temperature	-10 < Ta < +100 [°C]
Process temperature	-10 < Tp < +100 [°C]
MAX pressure	+25 bar [abs]
Directives	2011/65/EU (RoHS) 2014/34/EU (ATEX) 2014/35/EU (LVD) 1935/2004/EU (Food compliance)
Ex Marking	Ex II 2GD Ex d IIB T4 Ex tD A21 IP65 T135°C

© CAMLogic  
Via dell'Industria 12  
42025 Cavriago (RE) - ITALY  
www.camlogic.it

**CAMLOGIC**

DRAWING N. 0602\_0013\_00

SHEET: 1 OF 3

REV: 0

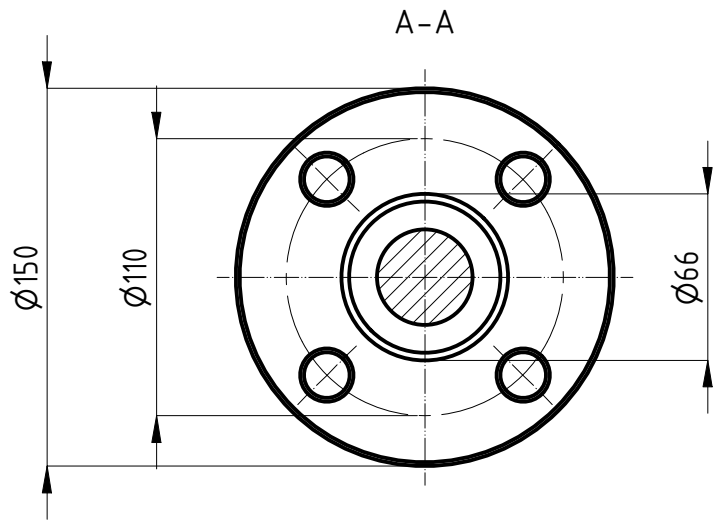
GENERAL TOL.: ISO 2768-mH

UNLESS OTHERWISE SPECIFIED DRAWING FROM CAD SYSTEM - REFER TO 3D MODEL FOR MISSING DIMENSION - NO MANUAL MODIFICATION ALLOWED

SCALE: 1:3

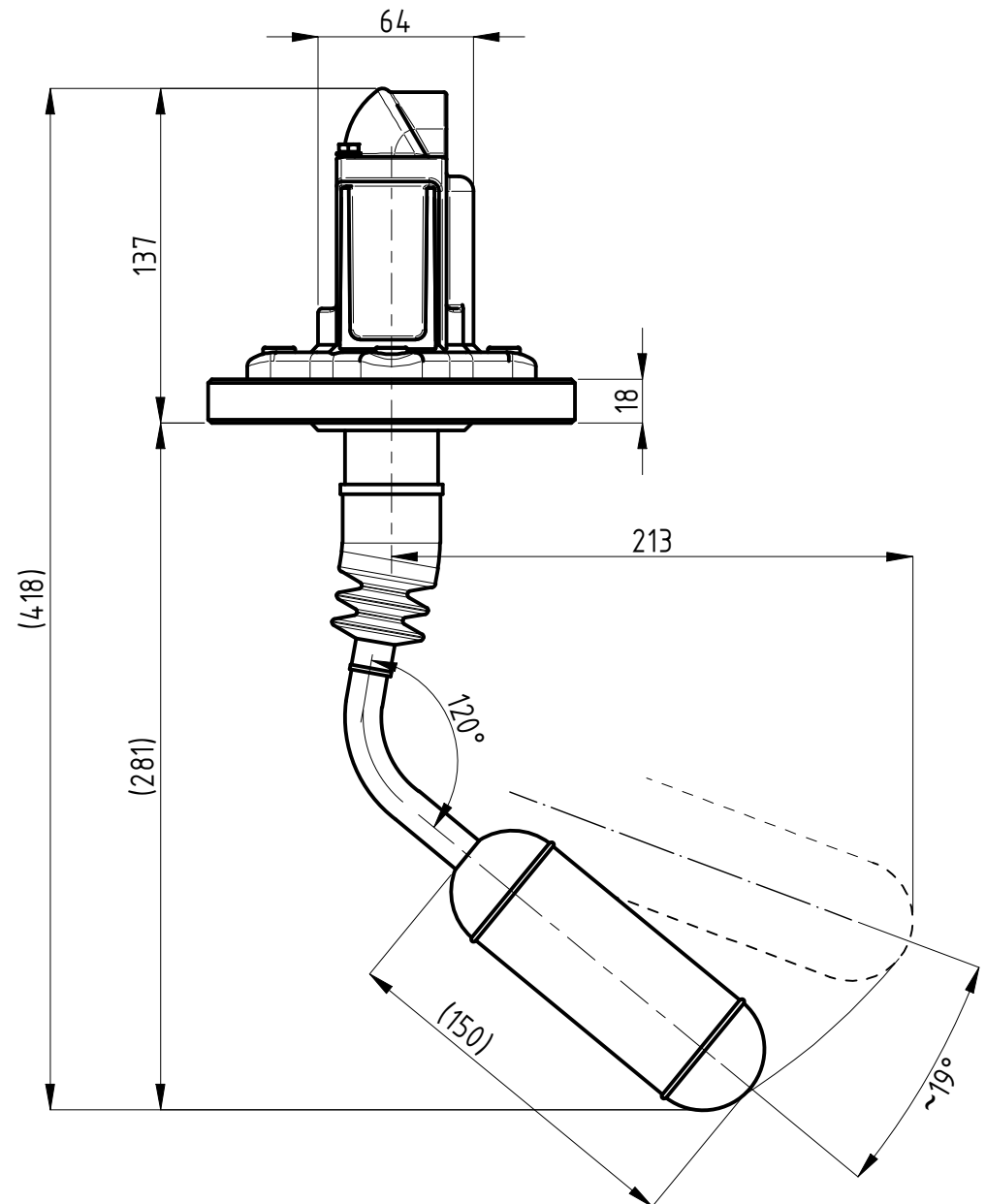
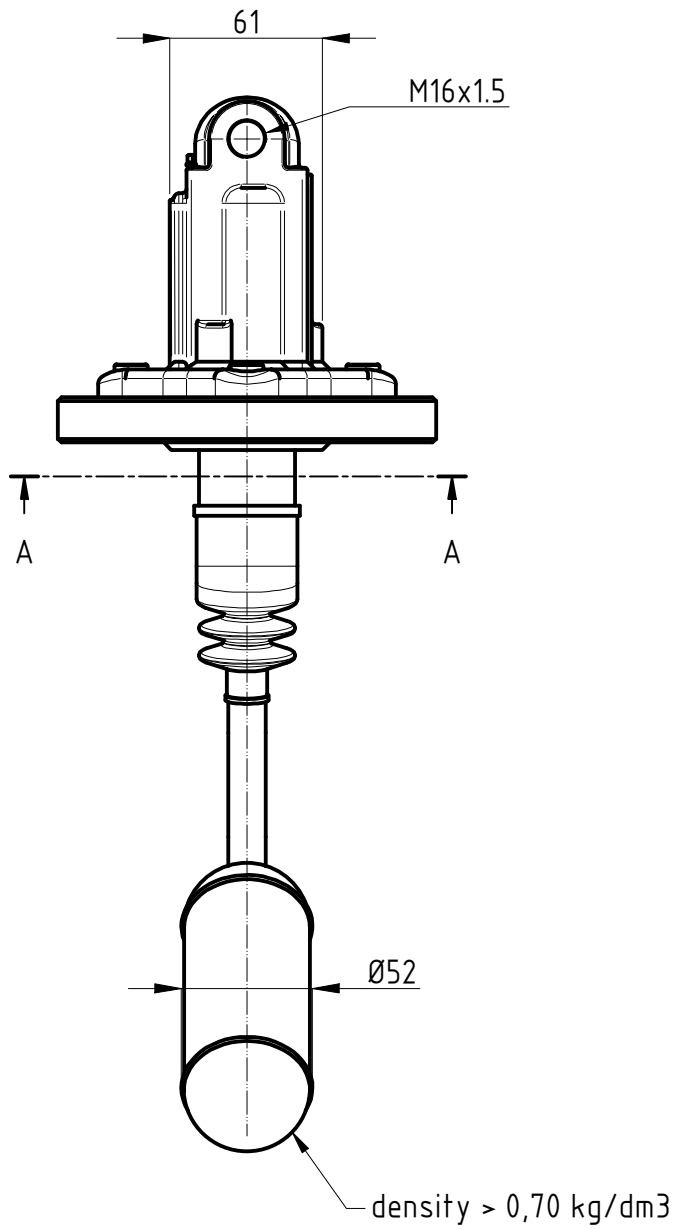
DRAWN NR DATE 28.10.2021

SIZE UNI A3

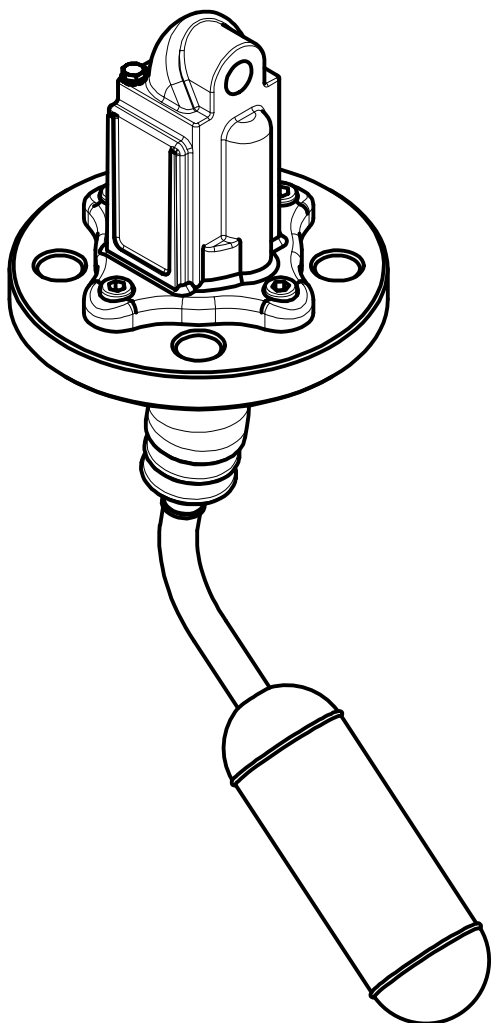


PE	NO	COM	NC
	1	2	3
MAX. 10A / 250V			

Terminals : male FASTON (.250 series / 6,3x0,8 mm)



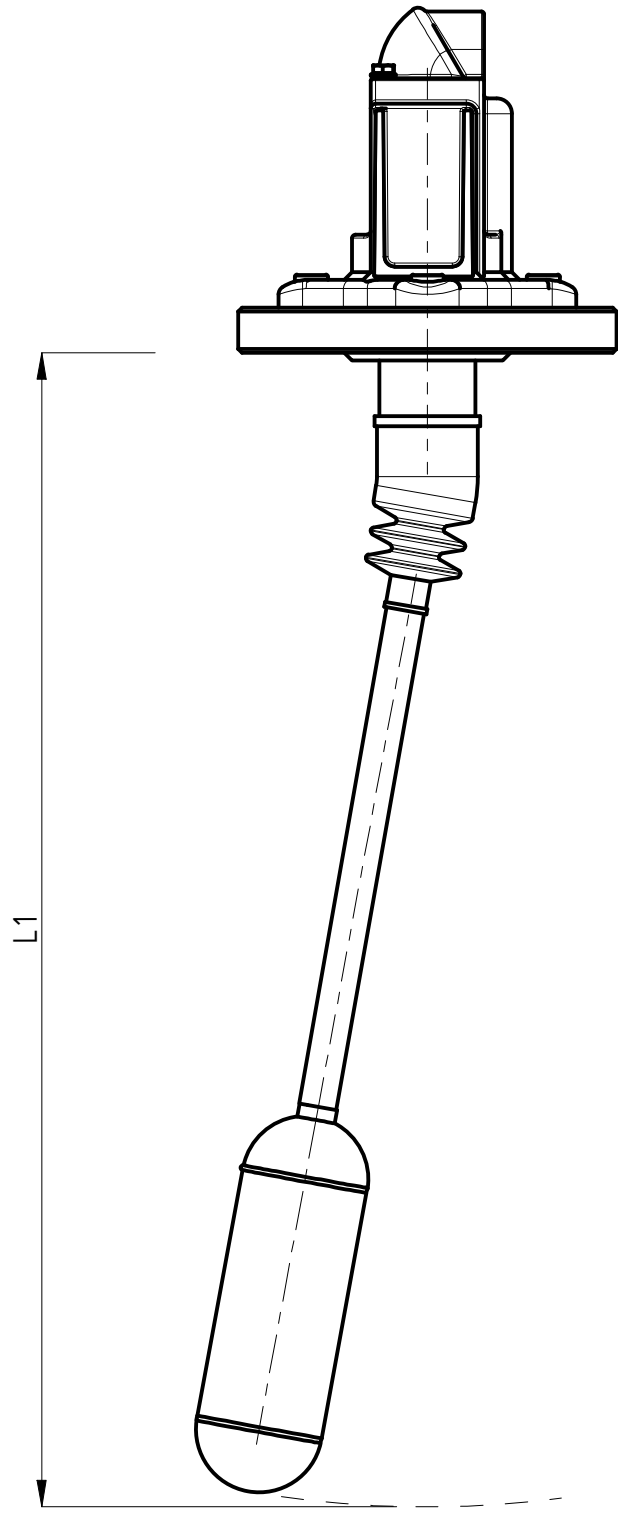
PFGLP/C



Model	PFGLP/C
Weight	3,0 [kg]
Power supply	not powered
Signal	SPDT / max. 10[A]-250VAC
IP grade	IP65
Housing	Aluminium (powder coated)
Connection and floating	DN40 / PN.40 - AISI 316
Ambient temperature	-10 < Ta < +100 [°C]
Process temperature	-10 < Tp < +100 [°C]
MAX pressure	+25 bar [abs]
Directives	2011/65/EU (RoHS) 2014/34/EU (ATEX) 2014/35/EU (LVD) 1935/2004/EU (Food compliance)
Ex Marking	Ex II 2GD Ex d IIB T4 Ex tD A21 IP65 T135°C
<b>® CAMLogic</b> Via dell'Industria 12 42025 Cavriago (RE) - ITALY www.camlogic.it	<b>CAMLOGIC</b> ® DRAWING N. 0602_0013_00
GENERAL TOL.: ISO 2768-mH	UNLESS OTHERWISE SPECIFIED DIMENSION ARE IN [mm]
	DRAWING FROM CAD SYSTEM - REFER TO 3D MODEL FOR MISSING DIMENSION - NO MANUAL MODIFICATION ALLOWED
	SCALE: 1:3
	SHEET: 2 OF 3 REV: 0 DRAWN NR DATE 28.10.2021

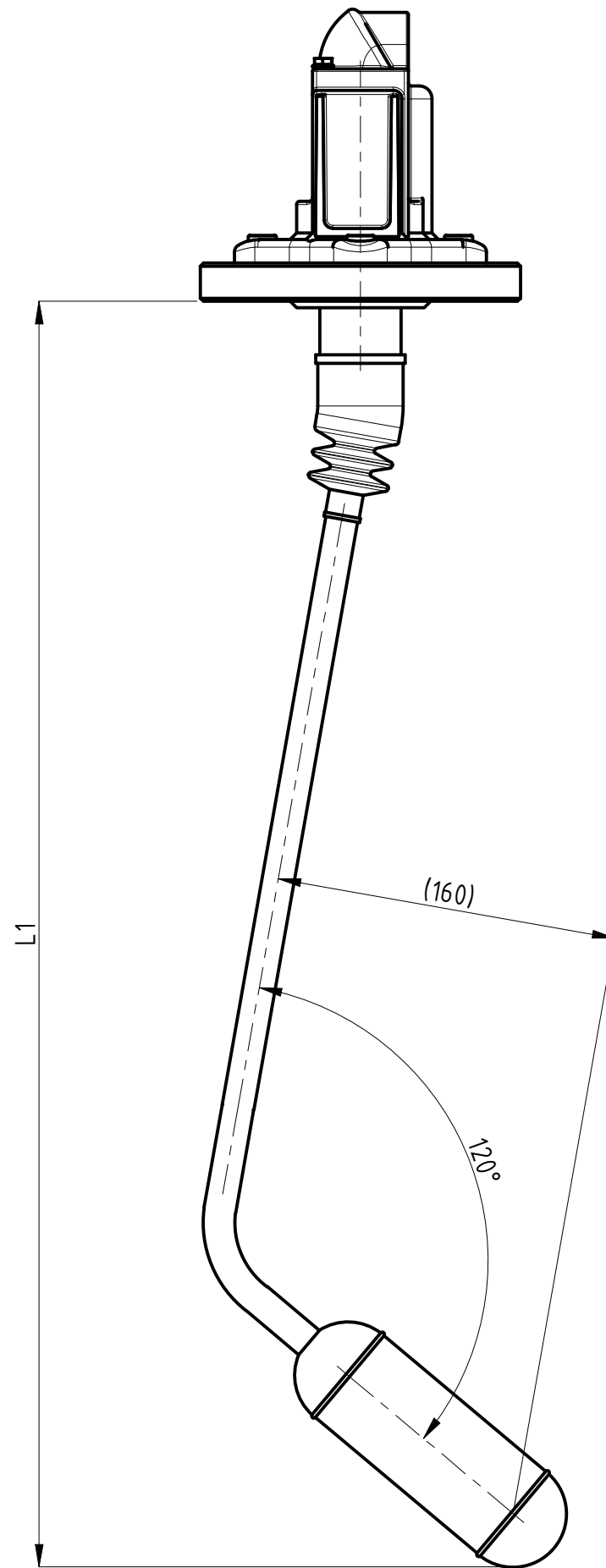
EXTENSIONS

PFGLP with extension



L1 [mm]
300
350
400
450
500
other lengths available on request, up to 500 mm

PFGLP/C with extension



L1 [mm]
300
350
400
450
500
other lengths available on request, up to 500 mm

NOTE : lengths may slightly differ from the tables ( +/ - 5 [mm] )

® CAMLogic  
Via dell'Industria 12  
42025 Cavriago (RE) - ITALY  
www.camlogic.it



DRAWING N. 0602\_0013\_00

SHEET: 3 OF 3

GENERAL TOL.: ISO 2768-mH

UNLESS OTHERWISE SPECIFIED DIMENSION ARE IN [mm]

DRAWING FROM CAD SYSTEM - REFER TO 3D MODEL FOR MISSING DIMENSION - NO MANUAL MODIFICATION ALLOWED

SCALE: 1:3

DRAWN NR DATE 30.09.2021

SIZE UNI A3